

SPECIFICATIONS

Rated(额定参数): 125V,4A
 Dielectric strength(抗电强度): AC1000V/1 Minute
 Insulation Resistance(绝缘电阻):1000MΩ Min
 Contact Resistance(接触电阻):20mΩ Max
 Temp. range(操作温度): -40℃~+105℃
 MAX Soldering(瞬时温度):+250℃,5s

Housing Material(塑件): PA66 (UL94 V-0)
 Contact(端子): Brass, Tin plating(黄铜镀锡)

PITCH RANGE	NOMINAL DIMENSION RANGE										
	IN MM		IN MM		IN MM						
OVER	6	OVER	10	OVER	30	OVER	60	OVER	100	OVER	150
TO	10	TO	24	TO	30	TO	60	TO	100	TO	150
±0.10	±0.15	±0.25	±0.30	±0.30	±0.30	±0.50	±0.70	±1.00			

Ordering Information

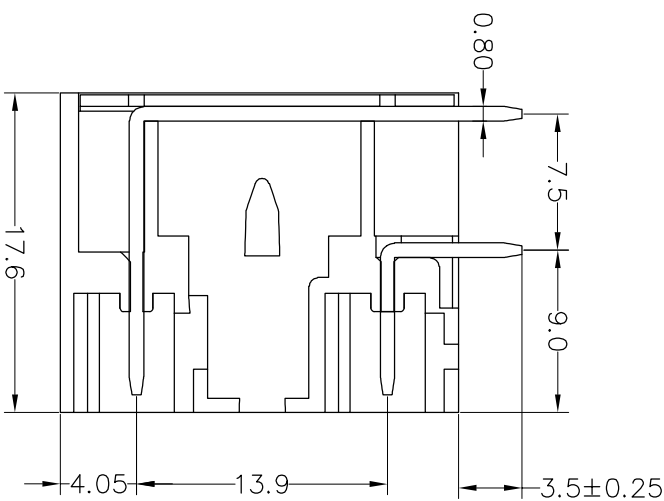
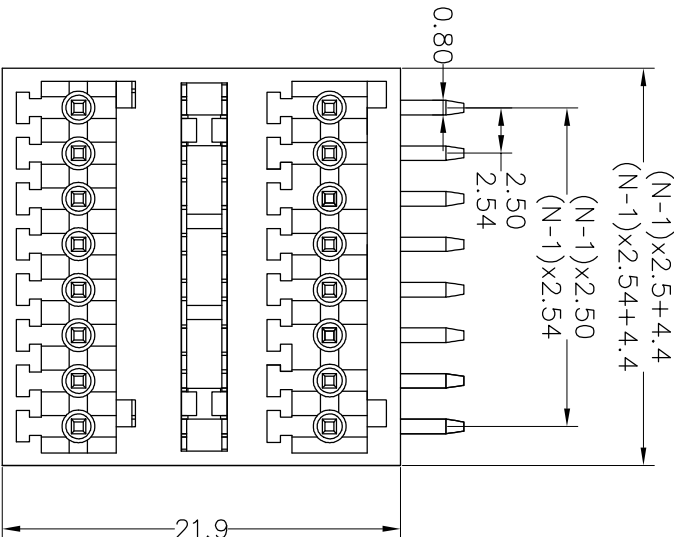
JL15EDGRH-XXX XX G X 1

Pitch
250=2.5PH
254=2.54PH

No. of pins
2P~24P

Housing Color
B=Black
G=Green
U=Blue
R=Red
W=White
Y=Yellow
O=Orange
E=Grey

Packing
0=Pe bog
A=Troy
T=tube



REV	DATE	MODIFICATION DESCRIPTION	CHANGE
A0	2017.01.05	NEW DRAWING	
1			CHANGE

OPERATION	DRAW	BEN	17.01.05
XX	±0.30		
X.XX	±0.20	CHECK	
X.XXX	±0.10		
Angle	±3'	APPROVE	
DIM	TOL		

SCALE	FIT	UNIT	mm
SIZE	A4		
SHEET	1/1		
PROU.			
PART NO.	JL15EDGRH-XXXXXXG1		
TITLE:	2.50/2.54mm Pitch Male Pluggable Terminal Blocks		

JILIN 深圳市锦凌电子有限公司
 SHENZHEN JINLING ELECTRONIC CO.,LTD
 Tel: 86-755-2997-5806/5802 Fax: 86-755-2997-5992