

## SPECIFICATIONS

Rated Current: 1.5AMP  
 Contact Resistance: 20mΩ Max  
 Withstand Voltage: 500V AC/DC  
 Insulation Resistance: 1000MΩ Min  
 Operation Temperature: -40°C to +105°C

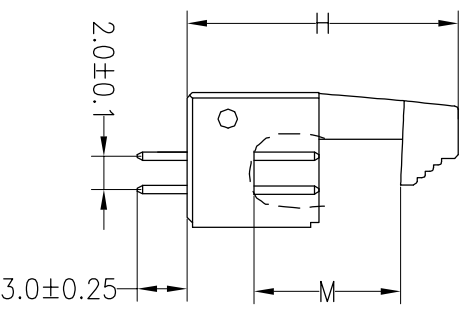
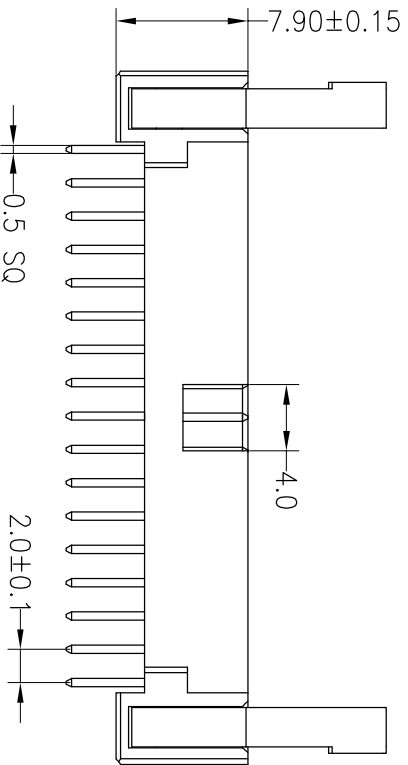
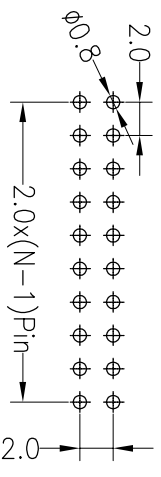
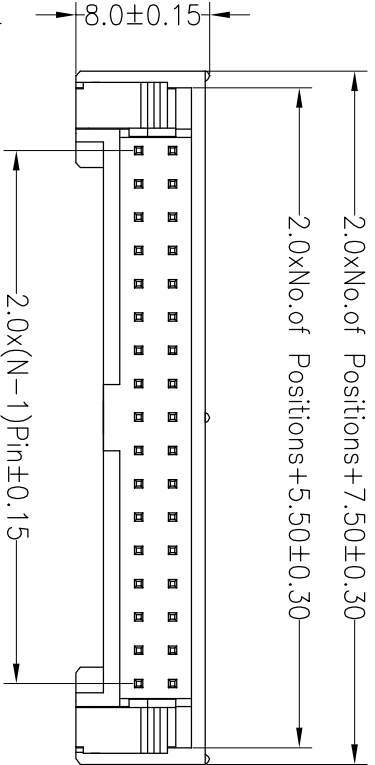
Contact Material: Brass  
 Contact Plating: Au or Sn Over Ni  
 Insulator Material: Polyester (UL94V-0)  
 Standard: PA6T  
 Max. Processing Temp: 230°C for 30-60 seconds  
 (260°C for 10 seconds)

DIMENSIONS	H	M
Long latch	19.00	11.60
Short latch	16.20	8.80

## Ordering Information

3225 XX S XX X BK00 X X 01

No. of Pins 6--64  
 Contact Plating  
 G0: Solder Flash  
 G1: 3U" Gold  
 G2: 5U" Gold  
 G3: 10U" Gold  
 G4: 15U" Gold  
 G5: 30U" Gold  
 S0: Gold Flash/Tin  
 Insulator Material  
 Option  
 A=BK-PBT  
 B=BK-PA66  
 C=BK-PA6T  
 D=BK-PA9T  
 E=BK-PA9T  
 F=BK-LCP  
 Latch Type  
 L=Long Latch  
 S=Short Latch  
 Packing  
 A=Tube  
 P=Tube+Cap  
 R=Reel+Cap



REV	DATE	MODIFICATION DESCRIPTION	CHANGE
A0	2016.07.20	NEW DRAWING	

OPERATION	DRAW	Y.YuSheng	16.07.20
X.X ±0.30	CHECK		
X.XX ±0.20			
X.XXX ±0.10			
Angle ±3°	APPROVE		
DIM	TOL		

SCALE	FIT	UNIT	SIZE	SHEET	PROV.	PART NO.	TITLE:
A4	mm	A4	1/1			3225XXXXXBXK00XX01	2.0mm Box Header 180° Npin H7.9 With Latch

**JIN** 深圳市锦凌电子有限公司  
 SHENZHEN JINLING ELECTRONIC CO.,LTD  
 Tel: 86-755-2997-5806/5802 Fax: 86-755-2997-5892