

HSE ROHS

SPECIFICATIONS

Rated Current: 1.0AMP
 Contact Resistance: 20mΩ Max
 Withstand Voltage: 500V AC/DC
 Insulation Resistance: 1000MΩ Min
 Operation Temperature: -40°C to +105°C

Contact Material: Brass
 Contact Plating: Sn Over Ni
 Insulator Material: Polyester (UL94V-0)
 Standard: PA46
 Max. Processing Temp: 230°C for 30-60 seconds
 (260°C for 10 seconds)

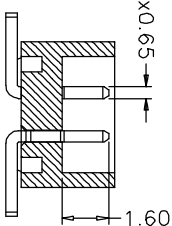
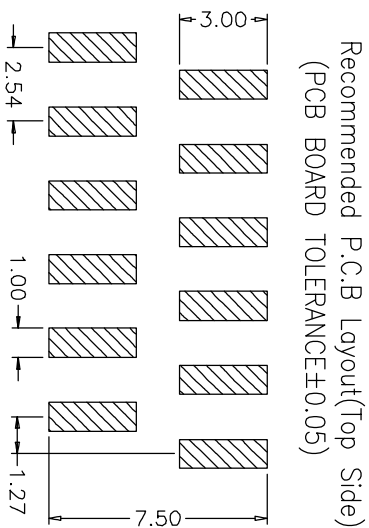
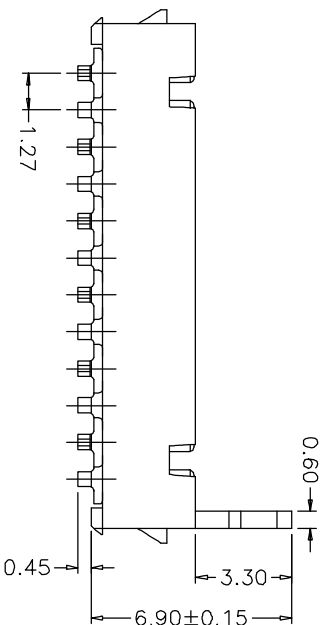
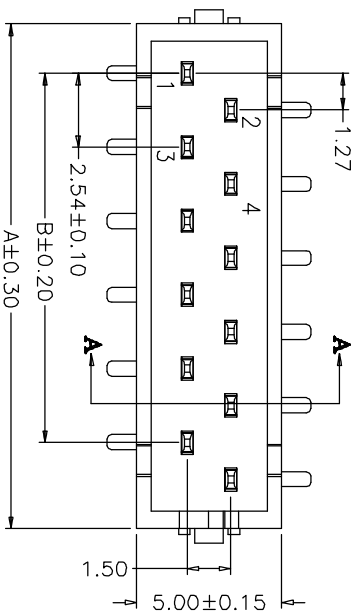
Dimensional

PINS	A	B
4	7.13	2.54
6	9.67	5.08
8	12.21	7.62
10	14.75	10.16
12	17.29	12.70
14	19.83	15.24
16	22.37	17.78
18	24.91	20.32
20	27.45	22.86
22	29.99	25.4
24	32.53	27.94
26	35.07	30.48

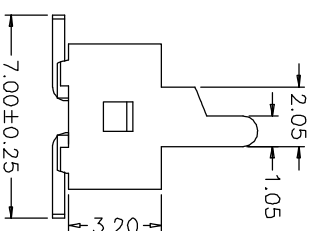
Ordering Information

4000-XX M M SN XN X 01

No. of Pins: 04~26P
 Insulator Material: A=PBT, E=PA46
 Packing: T=Tube, R=Reel+Cap



SECTION A-A



REV	DATE	MODIFICATION DESCRIPTION	CHANGE	OPERATION	SCALE	FIT	PROJ.	TITLE:
A0	2012.04.11	NEW DRAWING	CHECK	±0.30 ±0.20 ±0.10	A4	1/1		PART NO. 4000-XXMMSSNXX01
1			APPROVE	±3°				MICRO MATCH BOX HEADER SMT

JINL 深圳市锦凌电子有限公司
 SHENZHEN JINLING ELECTRONIC CO.,LTD
 Tel: 86-755-2997-5806/5802 Fax: 86-755-2997-5992