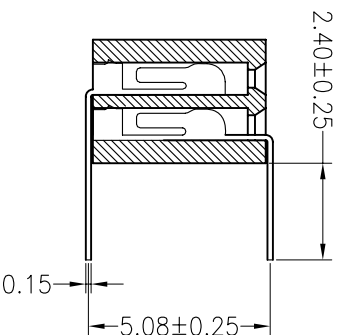
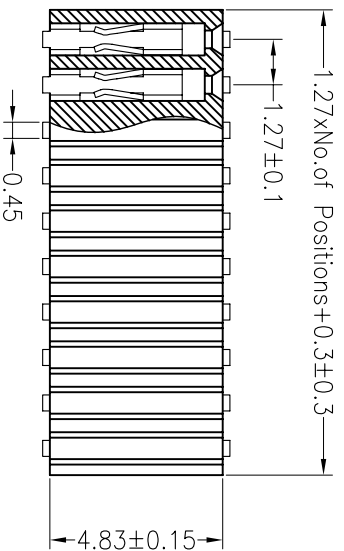


SPECIFICATIONS

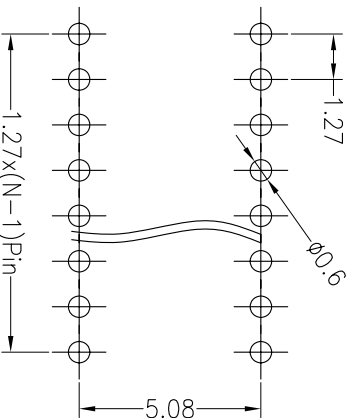
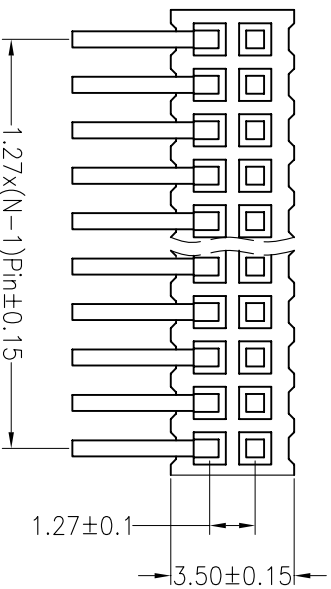
Rated Current: 1.0AMP
 Contact Resistance: 20mΩ Max
 Withstand Voltage: 500V AC/DC
 Insulation Resistance: 1000MΩ Min
 Operation Temperature: -40°C to +105°C
 Contact Material: Phosphor Bronze
 Contact Plating: Au Over Ni
 Insulator Material: Polyester (UL94V-0)
 Standard: PA6T
 Max. Processing Temp: 230°C for 30-60 seconds
 (260°C for 10 seconds)



Ordering Information

2435 02 XX X N XX R U X 01

- No. of Pins: 2*2~2*50
- Insulator Material Option:
 - A=BK-PBT
 - B=BK-PA66
 - C=BK-PA6T
 - D=BK-PA46
 - E=BK-PA9T
 - F=BK-LCP
- Contact Plating:
 - G0: Gold Flash
 - G1: 3U" Gold
 - G2: 5U" Gold
 - G3: 10U" Gold
 - G4: 15U" Gold
 - G5: 30U" Gold
 - S0: Gold Flash/Tin
- Packing:
 - T=Tube
 - P=Tube+Cap
 - R=Reel+Cap
 - M=Reel+Mylar



P.C.B Layout

REV	DATE	MODIFICATION DESCRIPTION	CHANGE	OPERATION	DRAW	YYS/SHENG	18.03.20	SCALE	FIT	PART NO.	TITLE:
A0	2018.03.20	NEW DRAWING		X.X ±0.30	CHECK			UNIT	mm	243502XXXXXXRU01	1.27/PF 2xNPin H3.45 W4.83 90°
				X.XX ±0.20				SIZE	A4		
				X.XXX ±0.10				SHEET	1/1		
				Angle				PROJ.			
				DIM							

JILIN 深圳市锦凌电子有限公司
 SHENZHEN JINLING ELECTRONIC CO.,LTD
 Tel: 86-755-2997-5806/5802 Fax: 86-755-2997-5992