

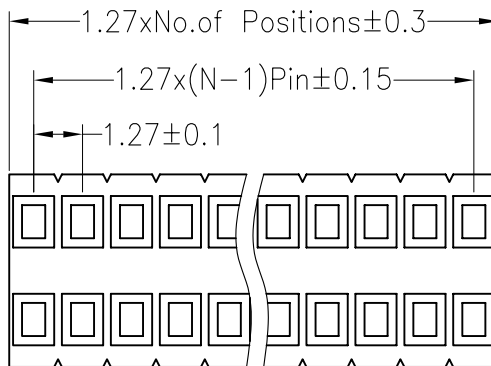


SPECIFICATIONS

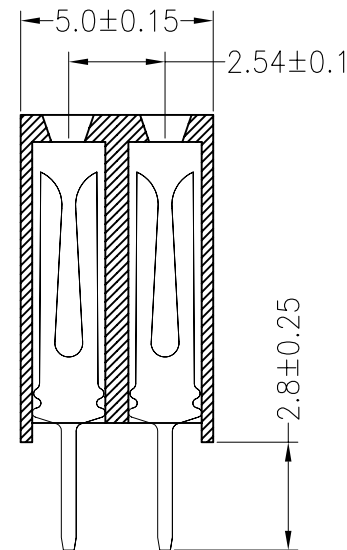
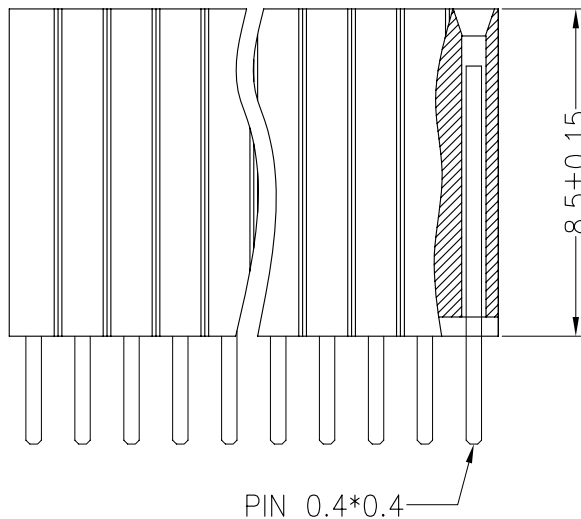
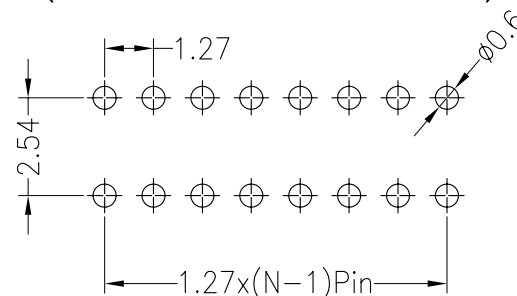
Rated Current:1.0AMP
 Contact Resistance:20mΩ Max
 Withstand Voltage:500V AC/DC
 Insulation Resistance:1000MΩ Min
 Operation Temperature:-40°C to +105°C

Contact Material:Brass
 Contact Plating:Au Over Ni
 Insulator Material:Polyester(UL94V-0)
 Standard: PA6T

Max.Processing Temp: 230°C for 30-60 seconds
 (260°C for 10 seconds)



Recommended P.C.B Layout(Top Side)
 (PCB BOARD TOLERANCE±0.05)



Ordering Information

2585 02 XX X N XX S Y X 01

No.of Pins Per Row 2*50

Insulator Material Option
 A=BK-PBT
 B=BK-PA66
 C=BK-PA6T
 D=BK-PA46
 F=BK-LCP

Contact Plating
 G0:Gold Flash
 G2:5U" Gold
 G3:10U" Gold
 G4:15U" Gold
 G5:30U" Gold
 S0:Gold Flash/Tin
 SN:Tin

Packing
 O=PE Bag
 T=Tube
 P=Tube+Cap
 R=Reel+Cap
 M=Reel+Mylar

| | | | | | | | | | | | | |
|-----|------------|--------------------------|--|-----------|-------|-------|-----------|----------|-------|-----|--|------------------------------|
| | | | | OPERATION | | DRAW | YiYuSheng | 15.01.28 | SCALE | FIT | JiLN ® 深圳市锦凌电子有限公司 SHENZHEN JINLING ELECTRONIC CO.,LTD Tel: 86-755-2997-5806/5802 Fax: 86-755-2997-5992 | |
| | | | | X.X | ±0.30 | | | | UNIT | mm | | |
| | | | | X.XX | ±0.20 | CHECK | | | SIZE | A4 | PART NO. | 258502XXXNXXSYX01 |
| A0 | 2015.01.28 | NEW DRAWING | | X.XXX | ±0.10 | | | | SHEET | 1/1 | TITLE: | 1.27x2.54PF 2xNPin H8.5 180° |
| REV | DATE | MODIFICATION DESCRIPTION | | CHANGE | DIM | TOL | APPROVE | | PROJ. | | | |