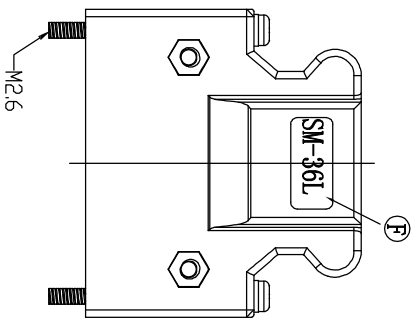
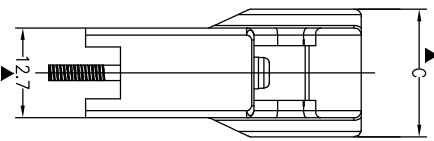
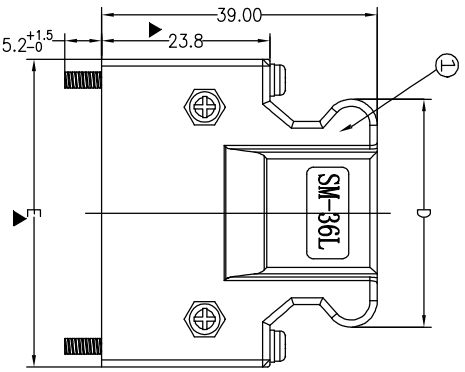
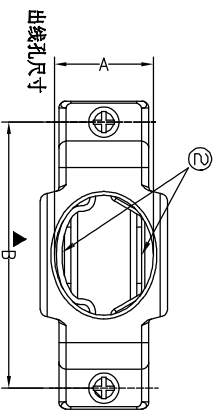
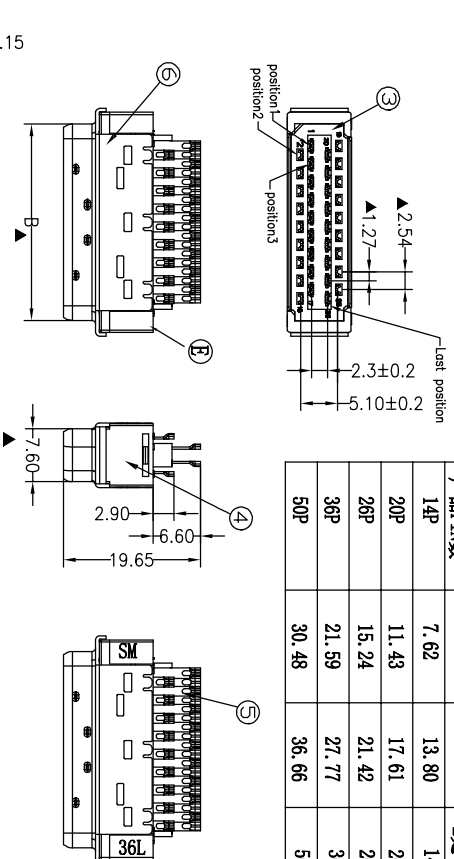


# HSE ROHS

外形脚数	DIM A	DIM B	DIM C	DIM D	DIM E	贴片字体
14P	7.00	23.60	12.70	18.20	29.50	SM-14L
20P	10.00	27.40	14.00	22.05	33.35	SM-20L
26P	10.00	31.30	14.00	25.86	37.16	SM-26L
36P	10.00	37.61	18.00	32.21	43.51	SM-36L
	14.00					SM-50L
50P	14.00	46.50	18.00	41.10	52.40	



产品PIN数	DIM A	DIM B	贴片字体
14P	7.62	13.80	14L
20P	11.43	17.61	20L
26P	15.24	21.42	26L
36P	21.59	27.77	36L
50P	30.48	36.66	50L



## Ordering Information

6331-MXXX S S XX MNA01

No. of Pins  
14,20P 26P,36P 50P

Connector type  
S-straight

Contact Plating  
G1:Gold Finish  
G2:Sn  
S1:30" Gold /In  
S2:5U" Gold /In  
S3:10U" Gold /In  
S4:15U" Gold /In  
S5:30U" Gold /In

### Specification:

- Contact Resistance: 35 m Ohm Max.
  - Insulation Resistance: 200 M Ohm Min. At 500V DC.
  - Contact Current Rating: 1 Amp AC/DC
  - Voltage Rating: 40V AC.
  - Withstanding Voltage: 500V AC For 1 Minute.
  - Operating Temperature: -25°C to +85°C
  - Wire Accommodation: 24,26,28 & 30 AWG
  - Control Dimensions Indicated From "▲".
- Material and Finish:
- Insulator Material: Glass Reinforced Polyester(PBT) UL94-V0,Black
  - Contact Material: Phosphor Bronze(C5191-EH)I=0.30
  - Shroud Material: Spcc
  - Contact Area Plated: Sn Over Nickel 50u".
  - Solder Area Plated: Tin Plated(80u" min Lead Free)

ITEM	PART NAME	Q'TY/YEA	MATERIALS	NOTE
⑤	SHELL	1	SPCC	Gold PLATING Or Nickel
⑤	COVER	1	Copper Alloy	Gold PLATING Or Nickel
④	HOUSING	1	PBT	UL 94V-0
③	Cover	1	PBT	UL 94V-0
②	Clamp	2	Spcc	
①	Plastic shell	2	PBT	UL 94V-0

REV	DATE	MODIFICATION DESCRIPTION	CHANGE	DIM	TOL	APPROVE
1						

OPERATION	SCALE	FIT	UNIT	SIZE	SHEET	PART NO.
X.X	±0.30		mm	A4	1/1	6331MXXXXXXMNA01
X.XX	±0.20					
X:XXX	±0.10					
Angle	±3°					

**JIN** 深圳市锦凌电子有限公司  
SHENZHEN JINLING ELECTRONIC CO.,LTD  
Tel: 86-755-2997-5806/5802 Fax: 86-755-2997-5892

SCSI SM Solder type Male